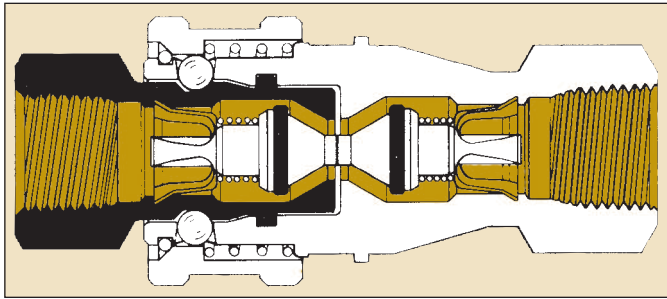


# Double Shut-Off Quick-Couplers

## TOMCO Series THK



TOMCO Series THK quick-couplers have fast-acting poppet valves in both the plug and coupler to effectively prevent fluid loss on disconnect.

Industry terminology for the THK series is "hydraulic couplings". However, they also find wide application on vacuum systems, steam, liquid, gases and other installations where fluid loss during connection or disconnection is undesirable.

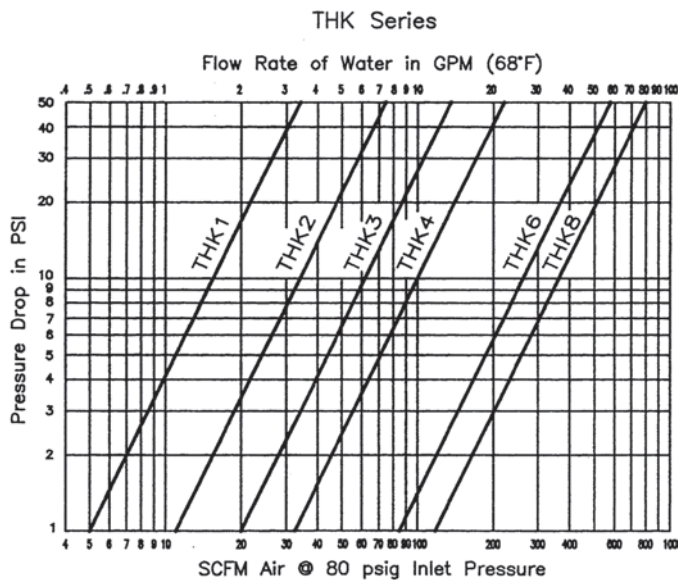
This superior quality line of quick-couplers is precision machined from solid bar stock for maximum wall strength. They are hardened at all points of extra stress and wear.

All interior THK components are corrosion resistant; manufactured of carefully selected materials to assure long, trouble-free, service life. Standard seals are Buna-N. Other materials are readily available to meet requirements of specific fluids and applications.

TOMCO's ball-locking mechanism is engineered for even load distribution; assures positive alignment, and allows hose-protecting swivel action. A sleeve locking option prevents accidental uncoupling in use.

Series THK quick-connects bring the user a unique combination of advantages including: high flow rate, low pressure drop, choice of body material, interchangeability with all leading industrial couplers, long service-free performance.

### FLOW RATE



### WORKING PRESSURE (PSI)/FLOW\*

Size	Max. Flow GPM	Steel	Brass	Stainless
1/8"	1	5,000	1,000	2,000
1/4"	3	5,000	1,000	2,000
3/8"	6	4,000	1,000	1,500
1/2"	12	4,000	1,000	1,500
3/4"	28	2,500	1,000	1,500
1"	50	2,000	1,000	1,500

### BURST STRENGTH (PSI)\*

Size	Steel	Brass	Stainless
1/8"	21,000	9,000	20,000
1/4"	20,000	12,000	15,000
3/8"	18,000	9,000	12,000
1/2"	16,000	14,000	17,000
3/4"	9,000	8,000	11,000
1"	8,000	6,000	7,000

\* The above ratings were established by carefully controlled laboratory tests including static burst tests and multiple-cycle impulse tests. Uncontrollable field conditions such as rapid cycling rates, high amplitude shocks, etc. can affect the unit's service life negatively, even though pressures are within the coupler's rated range.

### DUST CAPS AND PLUGS (Brass)

Tomco dust caps and plugs prevent contamination of disconnected fluid systems. They prevent the introduction of dirt, grit, and other contaminants into the system through the Series THK component.



SIZE	DUST CAP	DUST PLUG
THK 1	TK1D	TH1D
THK 2	TK2D	TH2D
THK 3	TK3D	TH3D
THK 4	TK4D	TH4D
THK 6	TK6D	TH6D
THK 8	TK8D	TH8D

# TOMCO DOUBLE SHUT-OFF

## SERIES THK ISO "B" INDUSTRIAL INTERCHANGE ISO "B"

**Working Range:** See Pressure Rating Chart on Page 17  
**Temperature:** -40° to +225° F  
**Pressure Drop:** See Graph on Page 17  
**Standard Seals:** Nitrile



PLUG



MANUAL COUPLER

STEEL	Catalog No.	Catalog No.
1/8"	TK1-11	TH1-11
1/4"†	TK2-16	TH2-16
3/8"†	TK3-21	TH3-21
1/2"†	TK4-26	TH4-26
3/4"†	TK6-31	TH6-31
1"	TK8-36	TH8-36
BRASS		
1/8"	TK1-11-002	TH1-11-002
1/4"†	TK2-16-002	TH2-16-002
3/8"†	TK3-21-002	TH3-21-002
1/2"†	TK4-26-002	TH4-26-002
3/4"†	TK6-31-002	TH6-31-002
1"†	TK8-36-002	TH8-36-002
STAINLESS STEEL (303)		
1/8"	TK1-11-303	TH1-11-303
1/4"†	TK2-16-303	TH2-16-303
3/8"†	TK3-21-303	TH3-21-303
1/2"†	TK4-26-303	TH4-26-303
3/4"†	TK6-31-303	TH6-31-303
1"	TK8-36-303	TH8-36-303

**SLEEVE LOCK OPTION** (see price list): Specify by adding suffix SL to the coupler catalog number.

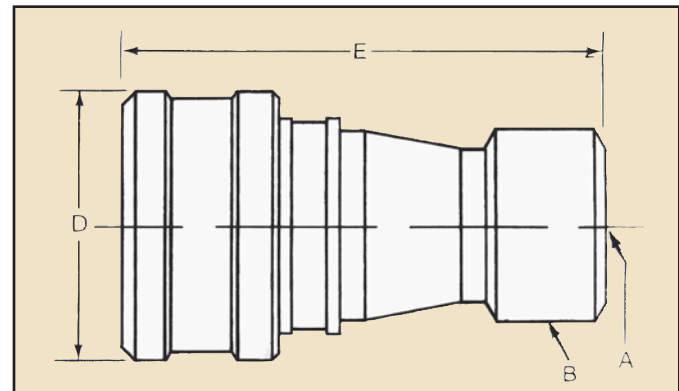
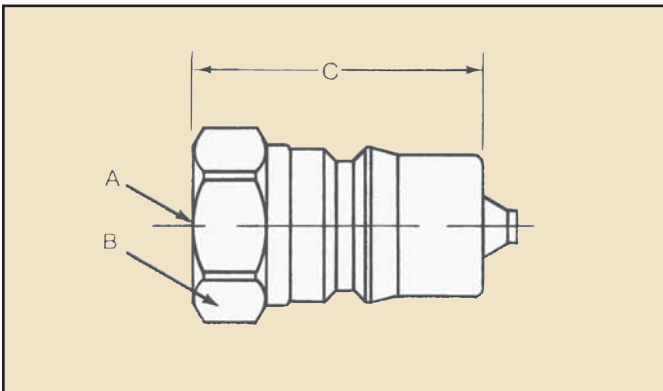
### MATERIALS OF CONSTRUCTION

**Steel Series:** Zinc plated steel, stainless steel springs, chrome steel locking balls

**Brass Series:** Machined brass w/300 stainless locking balls and stainless steel springs

**Stainless Series:** All metal components manufactured from 303 stainless steel

	A FEMALE PIPE THRD	B ACROSS FLATS	C PLUG LENGTH	D SLEEVE DIA.	E COUPLER LENGTH	F OVER ALL LENGTH COUPLED POSITION
THK1	1/8" NPTF	9/16 <sup>(.560)</sup>	1.17	.99	1.91	2.35
THK2	1/4" NPTF	3/4 <sup>(.750)</sup>	1.40	1.18	2.27	2.84
THK3	3/8" NPTF	7/8 <sup>(.875)</sup>	1.50	1.41	2.50	3.05
THK4	1/2" NPTF	1-1/8 <sup>(1.13)</sup>	1.84	1.85	2.93	3.71
THK6	3/4" NPTF	1-5/16 <sup>(1.31)</sup>	2.16	2.21	3.56	4.33
THK8	1" NPTF	1-5/8 <sup>(1.63)</sup>	2.58	2.58	4.18	5.20



# Double Shut-Off for Hydraulic Service

**SERIES THK12 ISO "B"**

**INDUSTRIAL INTERCHANGE ISO "B"**

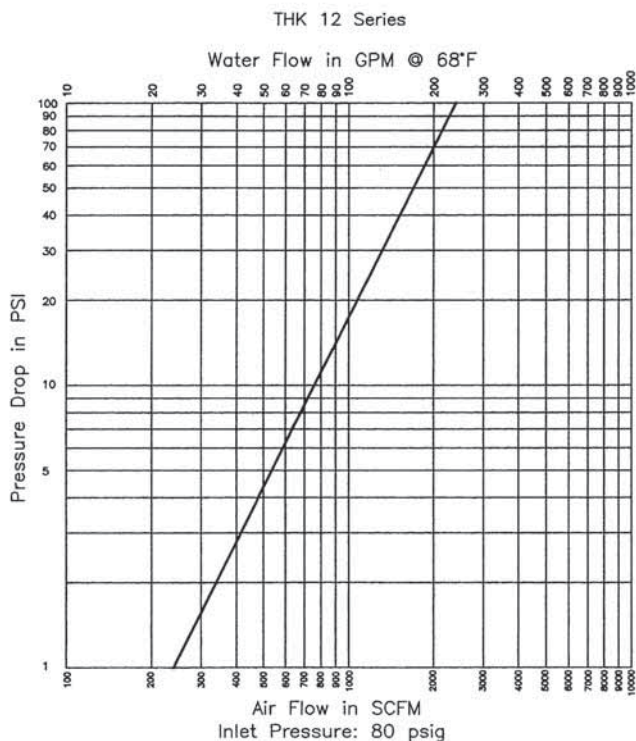
TOMCO Series THK12 couplers are ideal for large volume hydraulic return lines and other high volume fluid transfer applications. To meet specific application requirements, these couplers are available in brass, steel, and 303 stainless steel.



All TOMCO Series THK12 couplers feature double o-rings and heavy-duty construction throughout. Steel sleeves and plugs are heat treated and heavily plated for superior corrosion resistance.

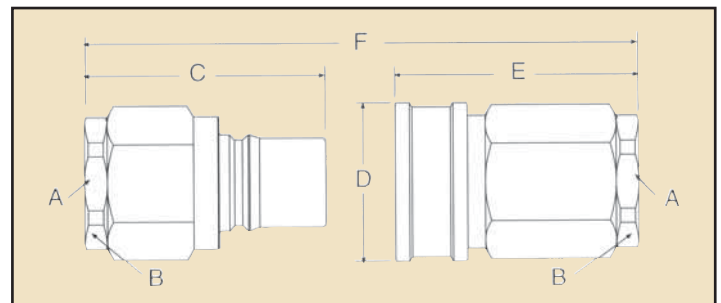
STEEL	Basic Size	Thread	Plug Catalog No.	Coupler Catalog No.
	1-1/2"	1-1/4" NPTF	TK12-41	TH12-41
	1-1/2"	1-1/2" NPTF	TK12-46	TH12-46
BRASS				
	1-1/2"	1-1/4" NPTF	TK12-41-002	TH12-41-002
	1-1/2"	1-1/2" NPTF	TK12-46-002	TH12-46-002
STAINLESS STEEL (303)				
	1-1/2"	1-1/4" NPTF	TK12-41-303	TH12-41-303
	1-1/2"	1-1/2" NPTF	TK12-46-303	TH12-46-303

## FLOW RATE



## PRESSURE RATINGS

Basic Size	Material	Working Pressure (PSI)	Burst Strength (PSI)
1-1/2"	Steel	1,500	6,000
	Brass	1,500	4,000
	Stainless	1,500	6,000



## DIMENSIONS All dimensions are in inches.

A Thread	B Across Flats	C Plug OAL	D Sleeve Dia.	E Coupler OAL	F OAL Coupled
1-1/4" NPTF	2.38	4.77	3.13	4.82	7.52
1-1/2" NPTF	2.38	4.77	3.13	4.82	7.52

Continuing manufacturing and engineering advances may cause changes to the data shown.