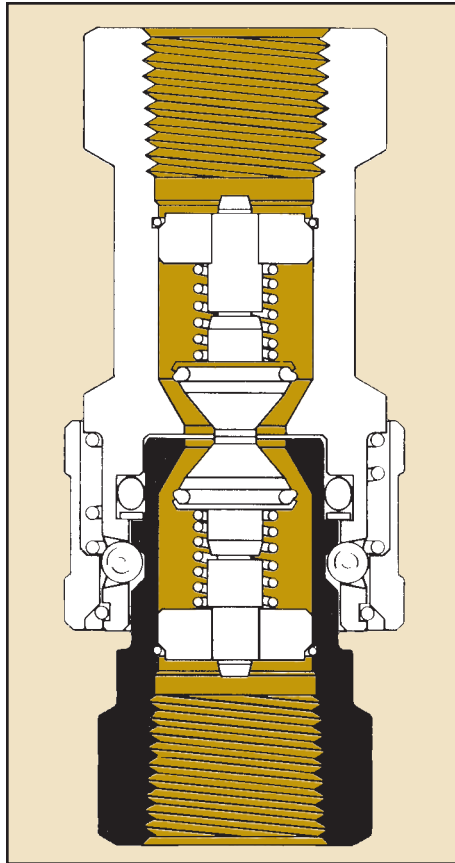


Double Shut-Off General Purpose

TOMCO Series A5600



TOMCO Series A5600 quick-couplers offer the product designer and processing engineer a full choice of interchangeable units with valving to exactly suit functional requirements without unnecessary costs.

These "general purpose" quick-couplers are engineered for a full range of hydraulic applications.

Both couplers and plugs are precision machined from solid steel bar stock for maximum strength. They are hardened at critical stress/wear points and are heavily plated.

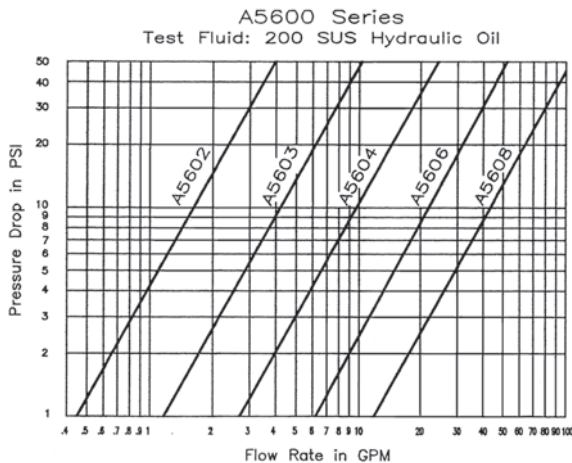
All interior Series A5600 components are manufactured of carefully selected materials to assure long, trouble-free, service life. Standard seals are Buna-N. Other materials are readily available to meet the specific requirements of various fluids and applications.

TOMCO's ball-locking mechanism provides even load distribution, assures positive alignment and provides hose-protecting swivel action.

Series A5600 quick connects bring the user an unusual combination of advantageous features including: high flow rate, low pressure drop, interchangeability with all leading "general purpose" couplers and superior trouble-free performance.

TOMCO Series A5600 meets, or exceeds, ISO 7241-1, Series "A" specifications.

FLOW RATE



PRESSURE RATINGS/FLOW GPM

SIZE	MAX. FLOW	WORKING PRESSURE		BURST STRENGTH	
		psi	bar	psi	bar
1/4"	3	5,000	345	15,000	1034
3/8"	6	4,000	276	12,000	827
1/2"	12	4,000	276	12,000	827
3/4"	28	4,000	276	12,000	827
1"	50	4,000	276	12,000	827

* The above ratings were established by carefully controlled laboratory tests including static burst tests and multiple-cycle impulse tests. Uncontrollable field conditions such as: rapid cycling rates, high amplitude shocks, etc. can affect the unit's service-life negatively, even though pressures are within the coupler's rated range.

(ISO "A") Couplers

TOMCO

DOUBLE SHUT-OFF

SERIES A5600

GENERAL PURPOSE ISO "A"

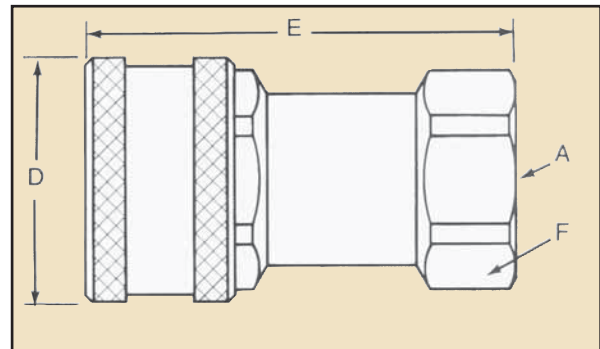
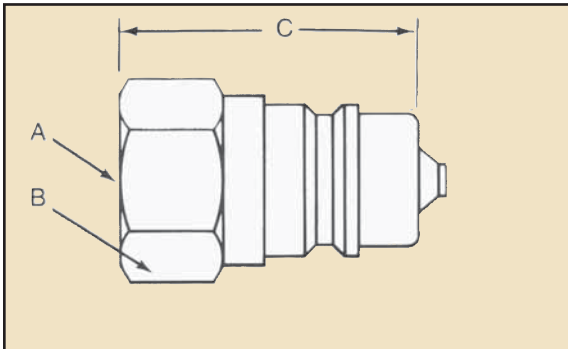
Working Range: See Pressure Rating Chart on Page 20
Temperature: -40° to +225°F
Pressure Drop: See Graph on Page 20

HEAVY DUTY PLUGS AVAILABLE. SEE CATALOG NUMBERS BELOW PLUG PICTURE.



*Heavy duty plugs are manufactured from high-strength steel and induction hardened. They are ideal for high cycling applications.

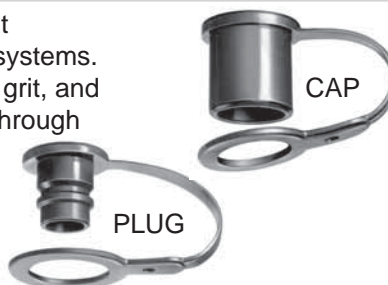
	Catalog No.	Catalog No.	Catalog No.
BASIC SIZE	STANDARD PLUG	HEAVY DUTY PLUG*	COUPLER
1/4"	PA5602-16	-	CA5602-16
3/8"	PA5603-21	-	CA5603-21
1/2"	PA5604-8 (ORB)	-	CA5604-8 (ORB)
1/2"	PA5604-10 (ORB)	-	CA5604-10 (ORB)
1/2"	PA5604-26	PA5604-26HD	CA5604-26
1/2"	PA5604-31	-	CA5604-31
3/4"	PA5606-31	PA5606-31HD	CA5606-31
1"	PA5608-36	PA5608-36HD	CA5608-36



SERIES NUMBER	A BASIC SIZE	B ACROSS FLATS	C PLUG LGTH.	D SLEEVE DIA.	E COUPLER LGTH.	F ACROSS FLATS	G COUPLED O.A.L.
A5602	1/4"	.75	1.27	1.08	1.83	.88	2.55
A5603	3/8"	.88	1.40	1.26	2.09	1.06	2.80
A5604	1/2"	1.06	1.82	1.52	2.70	1.25	3.63
A5606	3/4"	1.38	2.29	1.90	3.36	1.63	4.61
A5608	1"	1.63	2.58	2.15	3.97	1.88	5.30

DUST CAPS AND PLUGS (PLASTIC)

TOMCO dust caps and plugs prevent contamination of disconnected fluid systems. They prevent the introduction of dirt, grit, and other contaminants into the system through the Series A5600 components.



SIZE	DUST CAP	DUST PLUG
1/4"	5602DC	5602DP
3/8"	5603DC	5603DP
1/2"	5604DC	5604DP
3/4"	5606DC	5606DP
1"	5608DC	5608DP