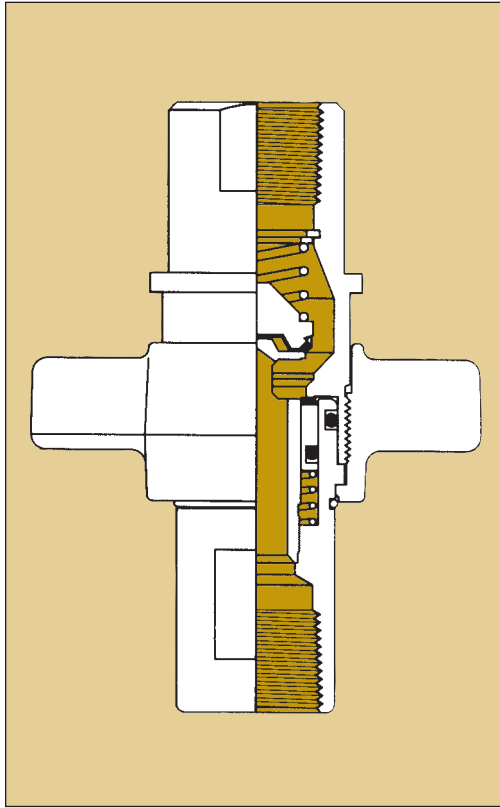


Thread-to-Connect Under Pressure

TOMCO Series A5100



Couple Under Pressure

TOMCO Series A5100 quick-couplers are engineered to provide the extra assembly forces required to make or break connection against trapped or active hydraulic pressures up to 500 psig.

Easier to Connect

Integral "hammer-wings" on the steel coupler sleeve transmit required assembly force. Wrench flats are also provided on both the plug and the coupler for final tightening if needed. Added mechanical advantage is supplied by the connecting threads on the plug and coupler.

Space Saving Hex Nut

When assembly in close spaces precludes the use of "wings", an alternate, space saving hex nut driven coupler is available.

Extra Design Features

Series A5100 is designed to meet the extra strength and endurance requirements of roust-about usage under tough environments. Features include: precision machined anti-corrosion brass bodies, cast steel coupler sleeves, stainless steel springs, brass valves with tubular tempered steel stems, and bonded Nitrile seals.

Visual Coupling Guide

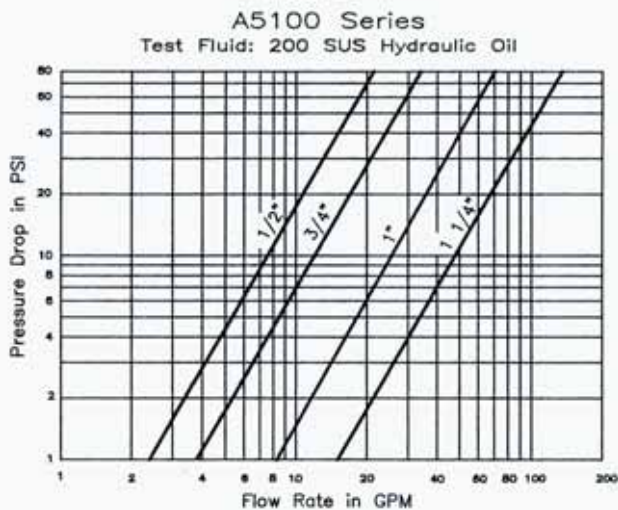
Visual proof of proper connections is afforded by an incised groove on all Series A5100 plugs. When the coupler sleeve is assembled flush against the groove on the plug, the connection is completed. The operator is thus assured that the poppets are fully open and maximum operating efficiency has been achieved.

Dust Caps and Plugs (Brass)

TOMCO dust caps and plugs prevent contamination of disconnected fluid systems. They prevent the introduction of dirt, grit and other contaminants into the system through the Series A5100 components.

TOMCO bulkhead mounting of flanges are also recommended where such installation is planned. See page 23.

FLOW RATE



PRESSURE RATINGS

HOSE I.D.	WORKING PRESSURE (PSI)	BURST STRENGTH (PSI)
3/4"	3,000	9,000
1"	3,000	9,000
1-1/4"	2,750	8,250

Disconnected burst strength of plugs 51P-20 and 51PF-20 is 7,500 psig.

Quick-Connects

TOMCO

DOUBLE SHUT-OFF

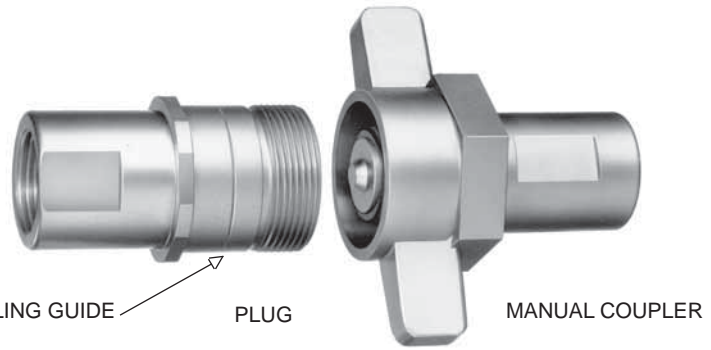
SERIES A5100

COUPLE UNDER PRESSURE

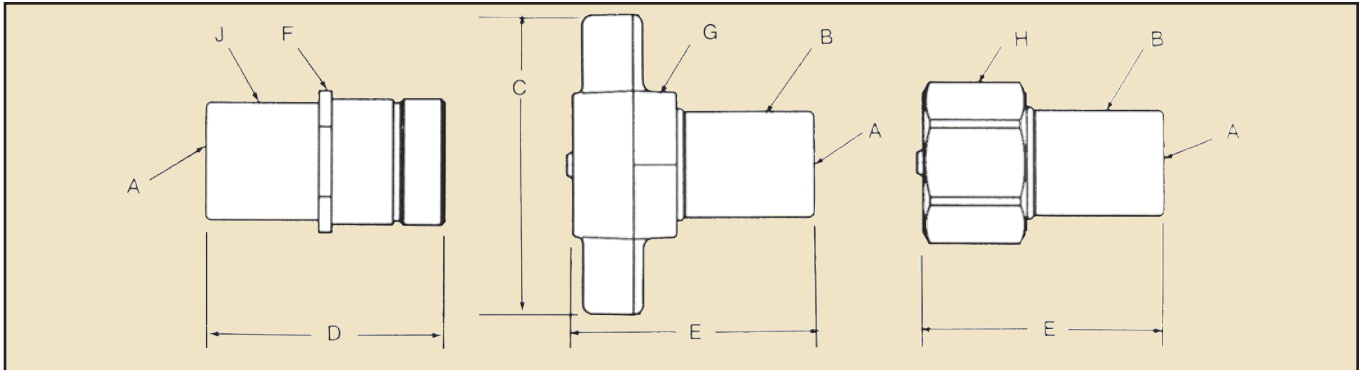
Working Range:
 Maximum Operating Pressure;
 See Pressure Chart on Page 22
Temperature: -40° to +225°F
Standard Seals: Bonded Nitrile

SUITEABLE FOR COUPLING AND UNCOUPLING AT PRESSURES UP TO 500 PSIG.

VISUAL COUPLING GUIDE
 See Page 22



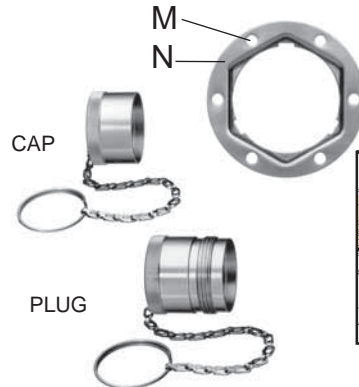
		Catalog No.		Catalog No.	
SIZE	THREAD	PLUG W/O FLANGE	PLUG W/ FLANGE	COUPLER W/"WINGS"	COUPLER W/ HEX NUT
3/4"	1/2" NPTF	51P-8	51PF-8	51W-8	51H-8
3/4"	3/4" NPTF	51P-12	51PF-12	51W-12	51H-12
1"	1" NPTF	51P-16	51PF-16	51W-16	51H-16
1-1/4"	1-1/4" NPTF	51P-20	51PF-20	51W-20	51H-20



BODY SIZE	A FEMALE PIPE THREAD	B ACROSS FLATS	C ACROSS "WINGS"	D PLUG LENGTH	E COUPLER LENGTH	F PLUG HEX	G COUPLER HEX	H COUPLER HEX	J ACROSS FLATS
3/4"	1/2" NPTF	1.16	4.06	3.12	3.09	1.63	1.81	1.750	1.19
3/4"	3/4" NPTF	1.16	4.06	3.12	3.09	1.63	1.81	1.750	1.19
1"	1" NPTF	1.44	4.40	3.55	3.68	1.88	2.25	2.125	1.56
1-1/4"	1-1/4" NPTF	1.88	5.20	3.72	3.98	2.13	2.625	2.500	1.88

DUST CAPS AND PLUGS (Brass)

BODY SIZE	DUST CAP	DUST PLUG
3/4"	51DC-12	51DP-12
1"	51DC-16	51DP-16
1-1/4"	51DC-20	51DP-20



BULKHEAD FLANGE

BODY SIZE	FLANGE	M MOUNTING HOLE	N HOLE CTR. CIRCLE DIA.
3/4"	51F-12	.201	2.12
1"	51F-16	.201	2.38
1-1/4"	51F-20	.201	2.62