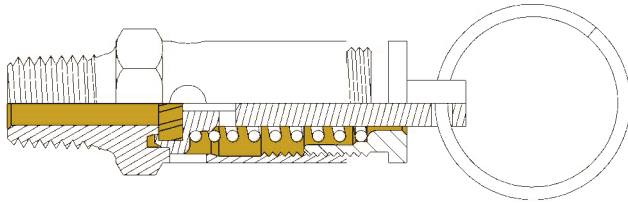


TOMCO Safety Valves

Factory Preset and Sealed



SERIES 1780

- Premium quality, corrosion-resistant safety valves
- Engineered for air compressor tanks and other non-fired pressure vessels and instruments
- Staked closed to prevent tampering
- Pressure settings available from 40 to 200 PSIG
- $\pm 3\%$
- Choice of 1/4" or 3/8" NPTF mounting threads
- Optimum high-flow discharge rates
- Operating temperatures -40°F to 350°F (-40°C to 177°C)
- Maximum installation torque: 100 lb.in.
- CRN OG-679-C

ORDERING INFORMATION

Example:

Series Code - 1780 Vent Pressure - Specify between 40 to 200 PSI

178 4 J • 190

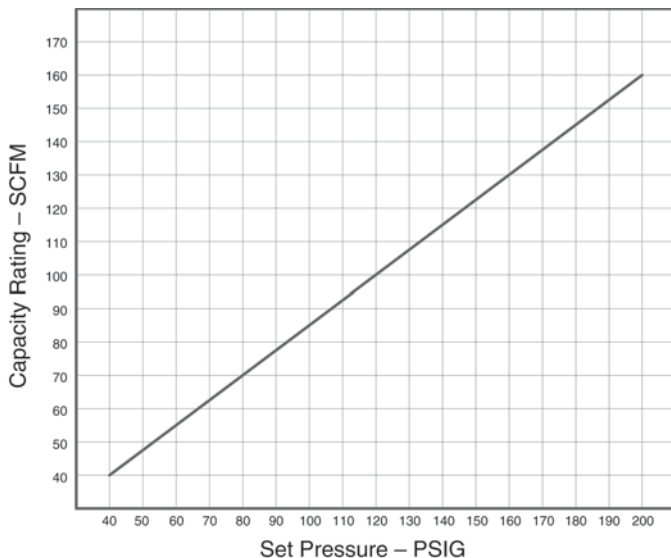
Thread Size
4 = 1/4 NPTF
6 = 3/8 NPTF

Seal Material
J = Silicon, -40°F to 350°F
K = Viton®, -15°F to 400°F

Examples:

1784J-160 =
1/4 NPTF Thread, Silicon Seal, 160 PSIG Vent Pressure

1786K-140 =
3/8 NPTF Thread, Viton Seal, 140 PSIG Vent Pressure



Continuing manufacturing and engineering advances may cause changes to the data shown.

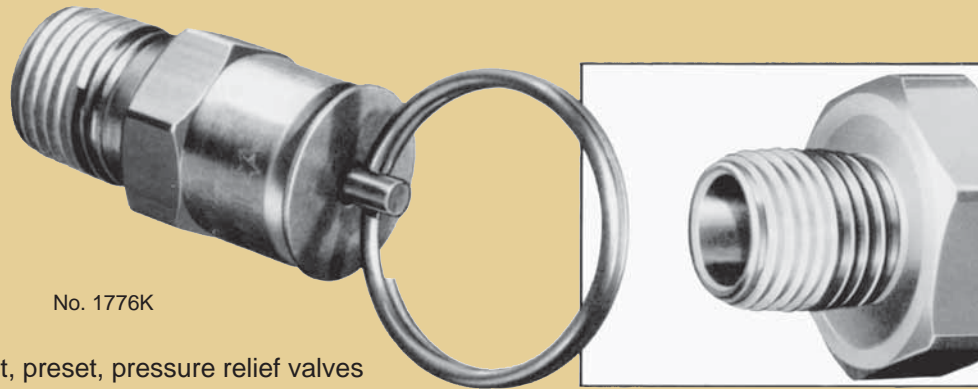
Factory Preset

PRESSURE RELIEF VALVES

SERIES 1776K

Cracking Pressure Ranges Available
From 4 psig thru 75 psig

Shield Disc Color Coded to Indicate Cracking Pressure

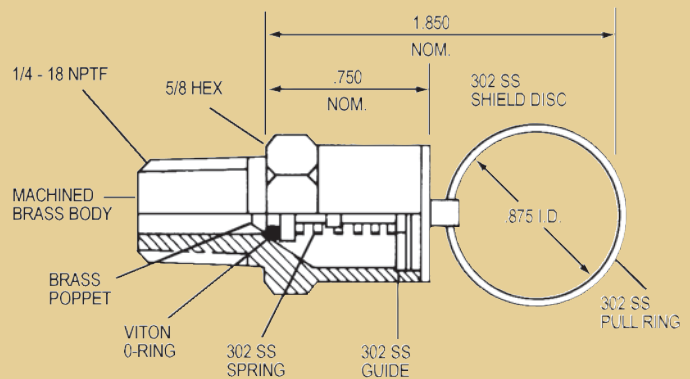


No. 1776K

TOMCO low cost, preset, pressure relief valves are thoroughly engineered and precision manufactured to protect against equipment damage or personnel injury that may result from dangerous pressure build-ups.

- Usable indoors or out
- Automatically vent at your selected pressure level
- Automatically reseal when pressure returns to "normal"
- May be manually opened as a safety precaution before field or shop servicing of the vessel
- Stainless steel shield-disc protects against dirt, insects, and contaminants entering valve
- Seals against vacuum
- Machined solid brass bodies
- 302 stainless steel springs, guides, shield-discs and pull rings
- The precision spring is double heat treated to eliminate temperature /time fatigue
- High strength precision-rolled threads
- Quickly and easily installed

A time-saving, money-saving feature of TOMCO relief valves is that their threads are "pretaped" with teflon tape to assure leak-proof installation. The first 1 1/2 threads are teflon-free to eliminate potential for tape shredding into, and contaminating, the vessel interior.



TOMCO	CRACKING PRESSURE (PSIG)*	FLOW (SCFM)Ü
1776K-O-05	5	12
1776K-O-10	10	30
1776K-O-15	15	43
1776K-O-20	20	50
1776K-O-25	25	56
1776K-O-30	30	63
1776K-O-40	40	82
1776K-O-50	50	97
1776K-O-60	60	110
1776K-O-75	75	134

TOMCO	CRACKING PRESSURE (PSIG)*	FLOW (SCFM)Ü
1776K-S-05	5	3
1776K-S-10	10	10
1776K-S-15	15	12
1776K-S-20	20	14
1776K-S-25	25	21
1776K-S-30	30	36
1776K-S-40	40	52
1776K-S-50	50	69
1776K-S-60	60	85
1776K-S-75	75	110

Part number with the middle letter "O" indicates the valve is supplied with a pull ring and shield disc.
Part number with the middle letter "S" indicates the valve is supplied without pull ring and shield disc.
*Cracking Pressure: psig ±10% †Flow (SCFM): Measured at 125% of cracking pressure

FOR CRACKING PRESSURES OTHER THAN THOSE LISTED ABOVE, PLEASE CONTACT FACTORY.